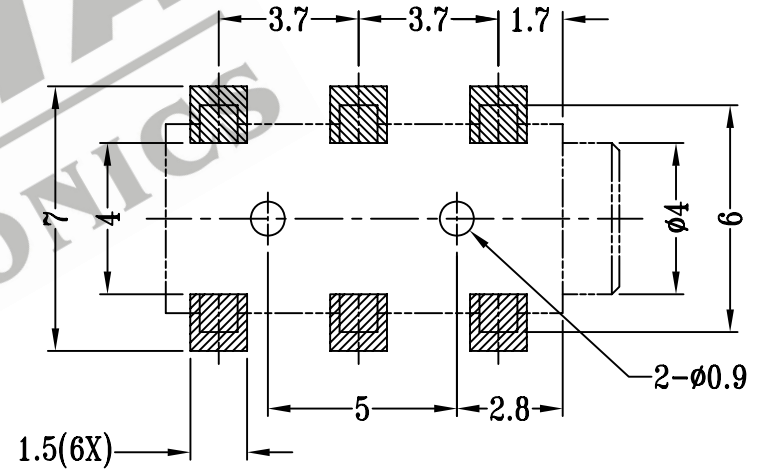
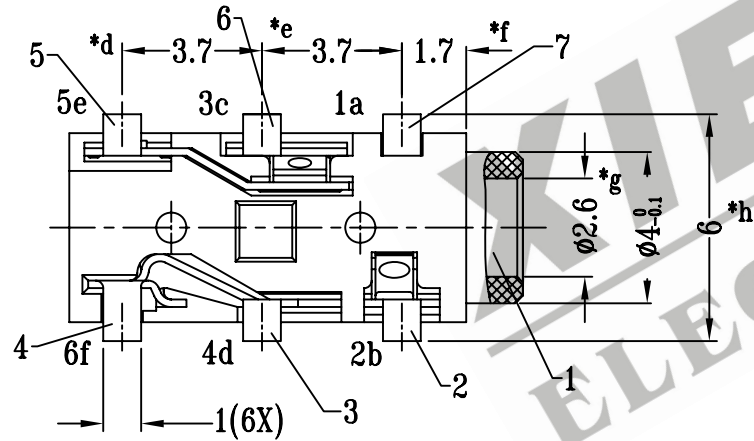
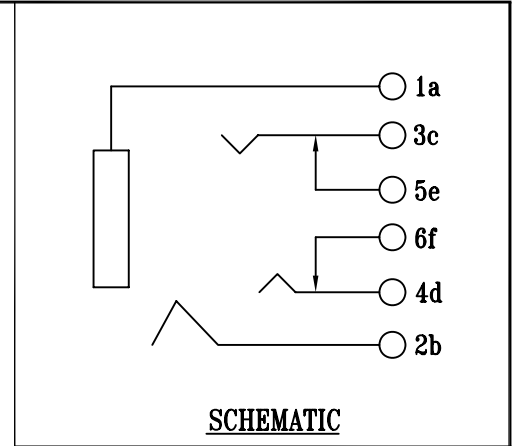
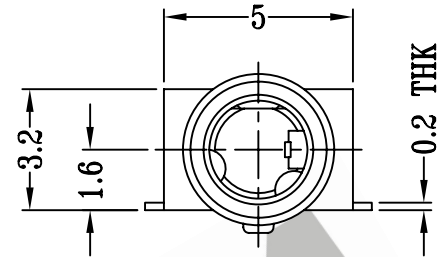
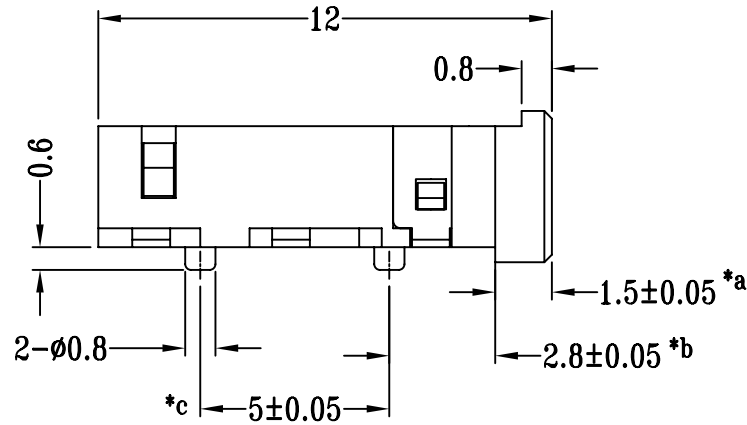


CAD FILE:



P.C.B LAYOUT

注：“\*”表示关键尺寸（8个）

NO.	PARTS	MATERIALS	Q'TY	FINISH	TOLERANCE UNLESS SPECIFIED	SHENZHEN XIEJIA ELECTRONICS CO.,LTD.				
8						TITLE : PHONE JACK	UNIT : mm	DRWG NO.: XJ-DR-ST409-00		
7	SPRING TERMINAL A	PBS	1	Au PLATED	WITHIN : 1.5±0.1mm OVER : 1.5±0.2mm			ISSUE	DATE	DESCRIPTIONS OF REVISION
6	SPRING TERMINAL C	C1720R-HN	1	Au PLATED		MODEL: ST-409	SCALE: 5 : 1	DWN.	ZHOUYU	2005-4-23
5	TERMINAL E	PBS	1	Au PLATED				CHK'D	FANGYING	2005-4-23
4	TERMINAL F	BRASS STRIP	1	Au PLATED		ALL MATERIALS MUST BE COMPLIANT TO ROHS		APPD.	KANGXINAN	2005-4-23
3	SPRING TERMINAL D	C1720R-HN	1	Au PLATED						
2	SPRING TERMINAL B	PBS	1	Au PLATED						
1	CASE	PA9T	1	BLACK						